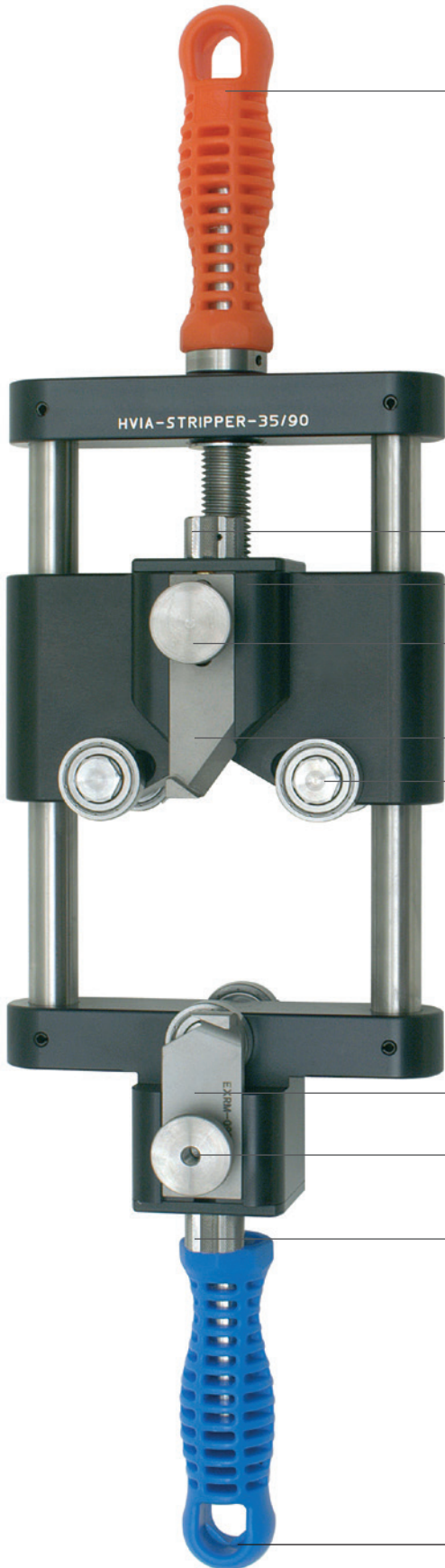


# RAYCHEM STRIPPING TOOL

FOR EXTRUDED AND BONDED CABLE SCREENS

**Raychem stripping tool HVIA-STRIPPER-35/90 for extruded and bonded cable screens and primary insulation for cable diameters from 35 to 90 mm**



Handle to adjust spindle to cable diameter

Setting screw to adjust cutting depth of blade for removing primary insulation

Locating hole for blade

Locking screw for cable insulation blade

Blade EXRM-0982-I-22.5 for removing primary insulation

Adjustable rollers (2 positions)

Blade EXRM-0982-R-20 for removing bonded cable screen (US-Version: EXRM-0982-R-20-4)

Locking screw for cable screen blade

Setting screw to adjust cutting depth of blade for chamfering the semicon screen at screen transition

Fixed handle

**Raychem Stripping Tool**  
For Extruded And Bonded Cable Screens



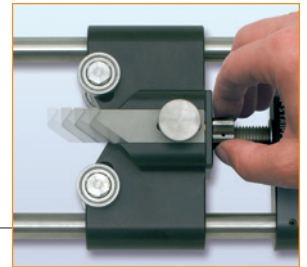
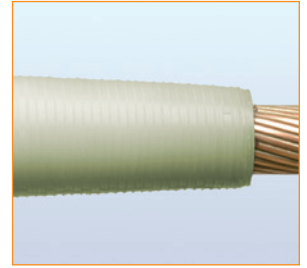
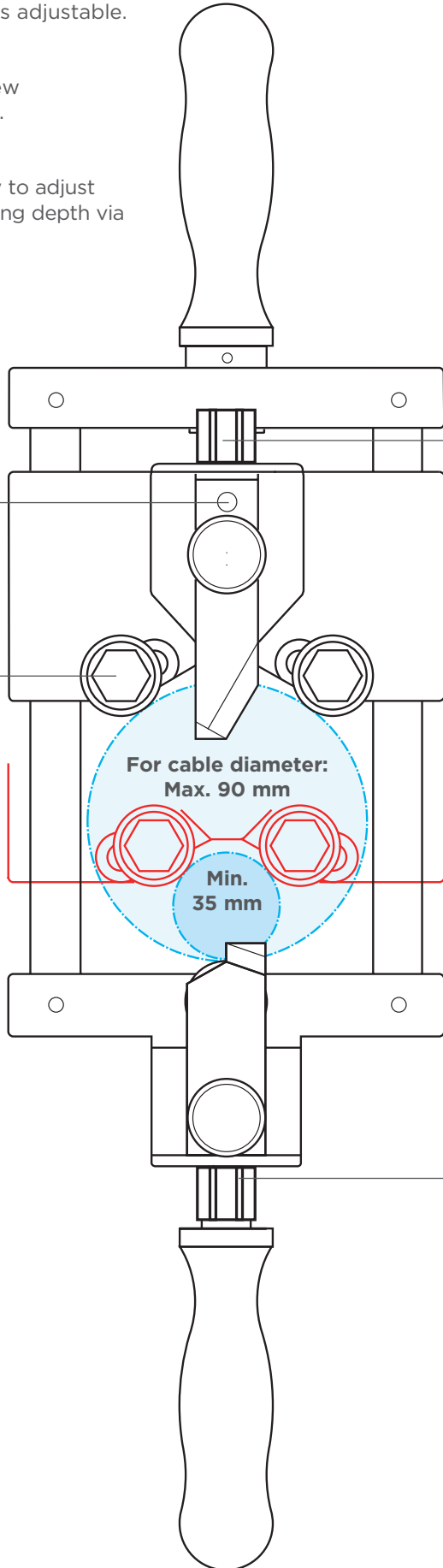
The stripping blade is adjustable.

Coarse adjustment:  
Remove locking screw  
and reposition blade.

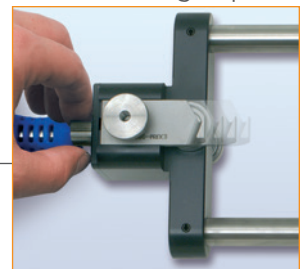
Fine adjustment:  
Loosen locking screw to adjust  
blade to desired cutting depth via  
the setting screw.



Adjust rollers to cable diameter until they are in contact with the bonded screen.



Loosen locking screw to adjust blade to desired cutting depth.



Loosen locking screw to adjust blade to desired cutting depth.



**Notes:**

- The tool is supplied with blades packed separately in the case.
- The cable must be aligned at right angles to the stripper tool.
- Apply a thin layer of silicon lubricant to the bonded screen for easy movement.
- The tool should be operated only by people trained in handling this type of tool.

TE Connectivity (NYSE: TEL) is a \$12 billion global technology leader. Our connectivity and sensor solutions are essential in today's increasingly connected world. We collaborate with engineers to transform their concepts into creations - redefining what's possible using intelligent, efficient and high-performing TE products and solutions proven in harsh environments. Our 72,000 people, including over 7,000 engineers, partner with customers in close to 150 countries across a wide range of industries. We believe EVERY CONNECTION COUNTS - [www.TE.com](http://www.TE.com).

- Mining
- Nuclear power plants
- OEMs
- Overhead distribution
- Petrochemical plants
- Railways
- Street lighting
- Substations
- Transmission lines
- Underground distribution
- Windfarms
- Solar
- Hydro-electric

WHEREVER ELECTRICITY FLOWS, YOU'LL FIND TE ENERGY



[te.com/energy](http://te.com/energy)

**FOR MORE INFORMATION:**

**TE Technical Support Centers**

France:	+ 33 380 583 200	Italy:	+ 39 333 2500 915
Germany:	+ 49 896 089 903	Poland and Baltics:	+ 48 224 576 753
UK:	+ 44 8 708 707 500	Czech Republic:	+ 42 0 272 011 105
Spain:	+ 34 916 630 400	Sweden and Norway:	+ 46 850 725 000
Benelux:	+ 32 16 351 731	Middle East:	+ 971 4 2 117 000
Denmark:	+ 45 43 480 424	USA:	+ 1 800 327 6996

[te.com/energy](http://te.com/energy)

© 2016 TE Connectivity Ltd. family of companies. All Rights Reserved. EPP-0756-8/16

Raychem, TE Connectivity and the TE connectivity (logo) are trademarks of the TE Connectivity Ltd. family of companies. Other logos, product and Company names mentioned herein may be trademarks of their respective owners. While TE has made every reasonable effort to ensure the accuracy of the information in this brochure, TE does not guarantee that it is error-free, nor does TE make any other representation, warranty or guarantee that the information is accurate, correct, reliable or current. TE reserves the right to make any adjustments to the information contained herein at any time without notice. TE expressly disclaims all implied warranties regarding the information contained herein, including, but not limited to, any implied warranties of merchantability or fitness for a particular purpose. The dimensions in this brochure are for reference purposes only and are subject to change without notice. Specifications are subject to change without notice. Consult TE for the latest dimensions and design specifications.

